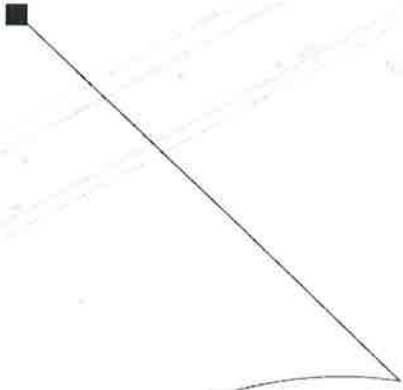


2009
2010
2011
2012
2013
2014
2015
2016
2017
2018
2019
2020

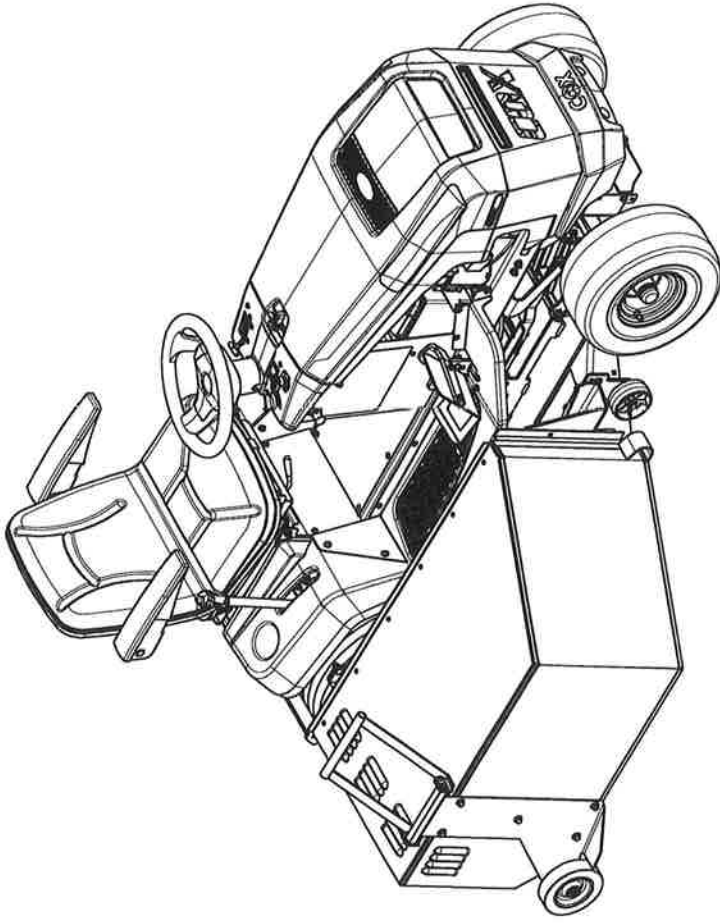
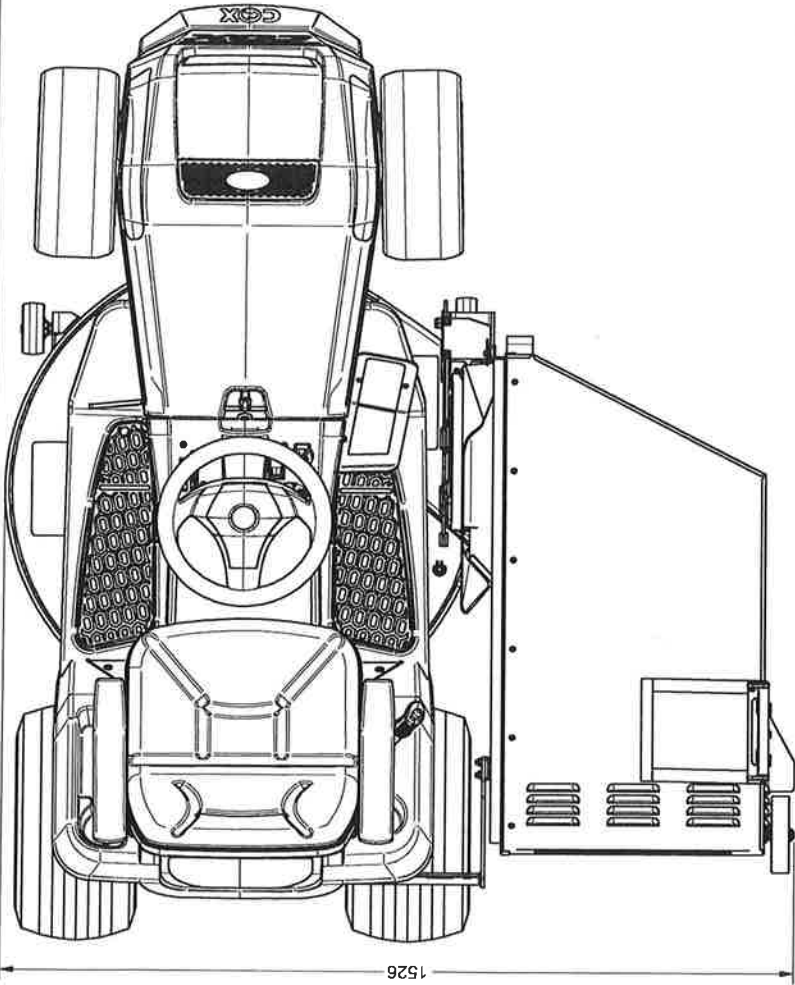
CA219 KIT

Installing
C54 CATCHER
TO
STOCKMAN 35" CUT
MODEL A21420F

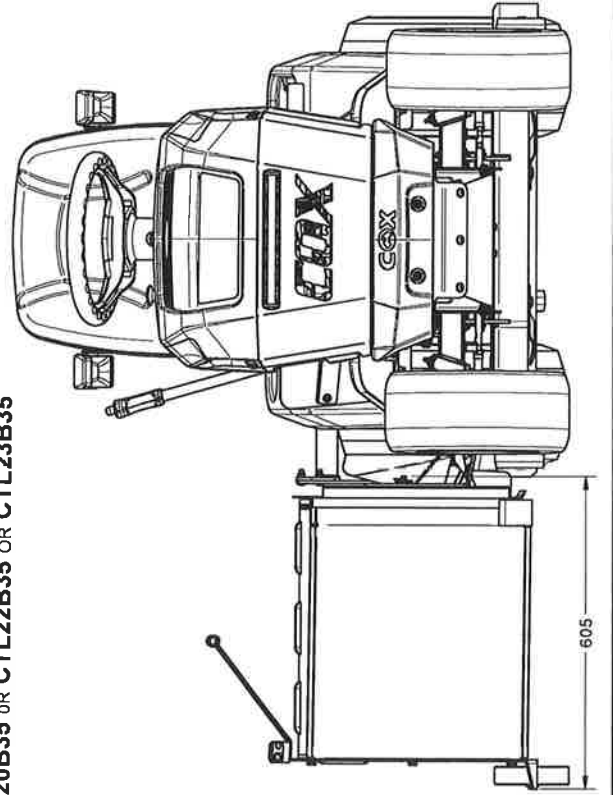
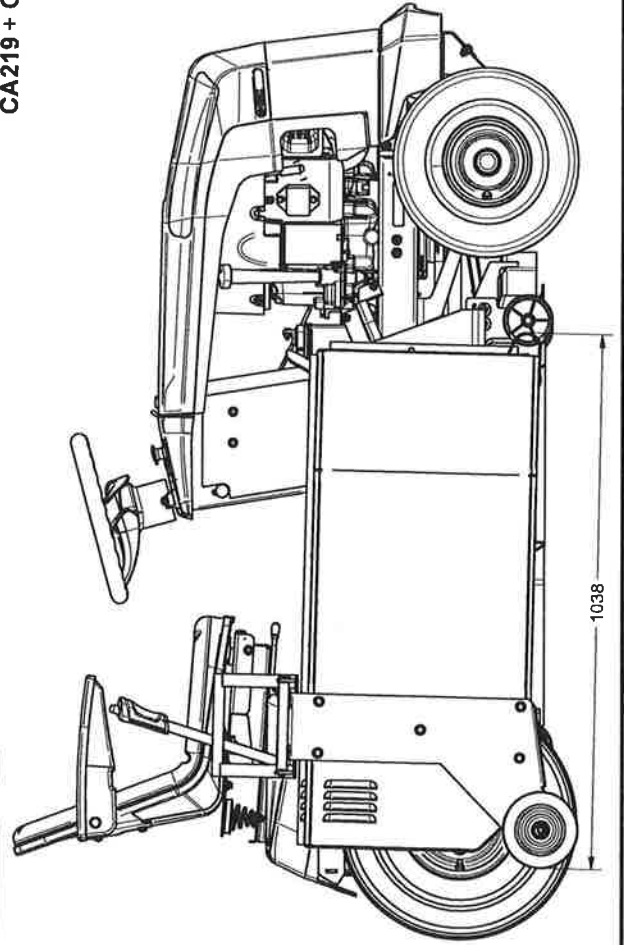


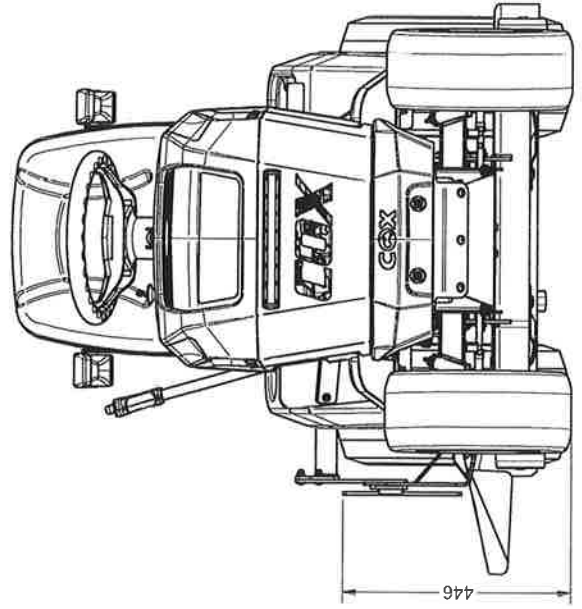
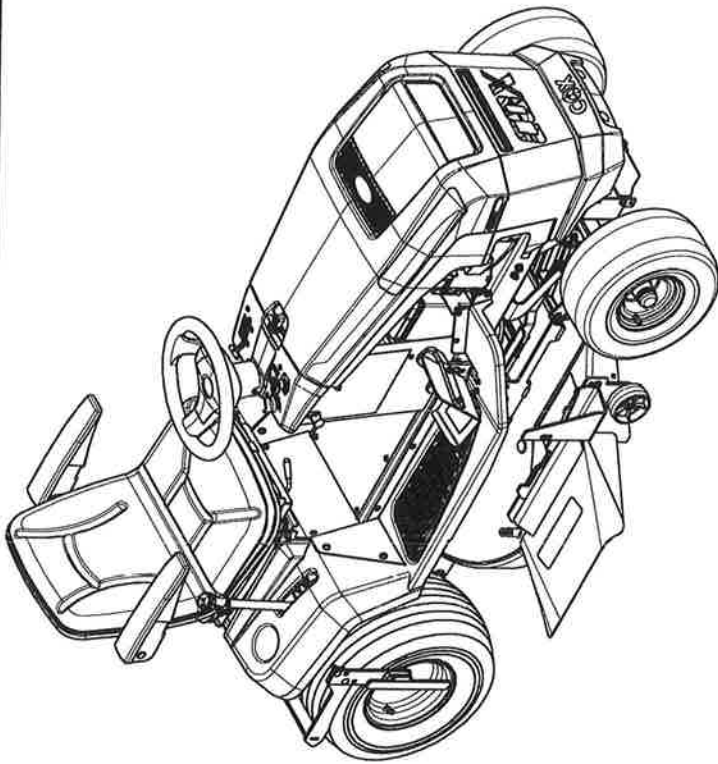
Engineered For Life 

COX Industries (Australia) Pty Ltd
70 Landseer St. Acacia Ridge, Queensland, Australia 4110
coxmowers.com.au

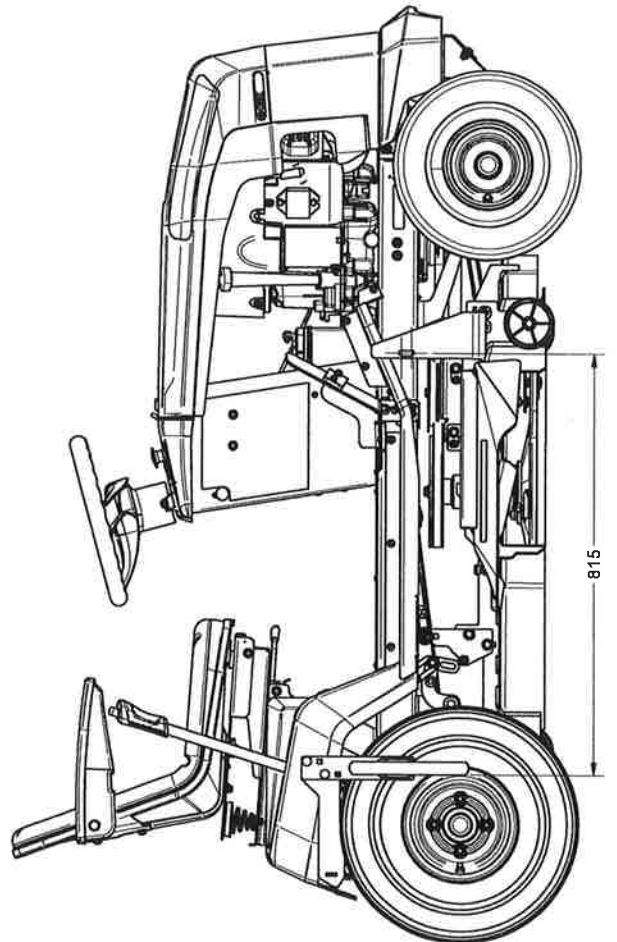
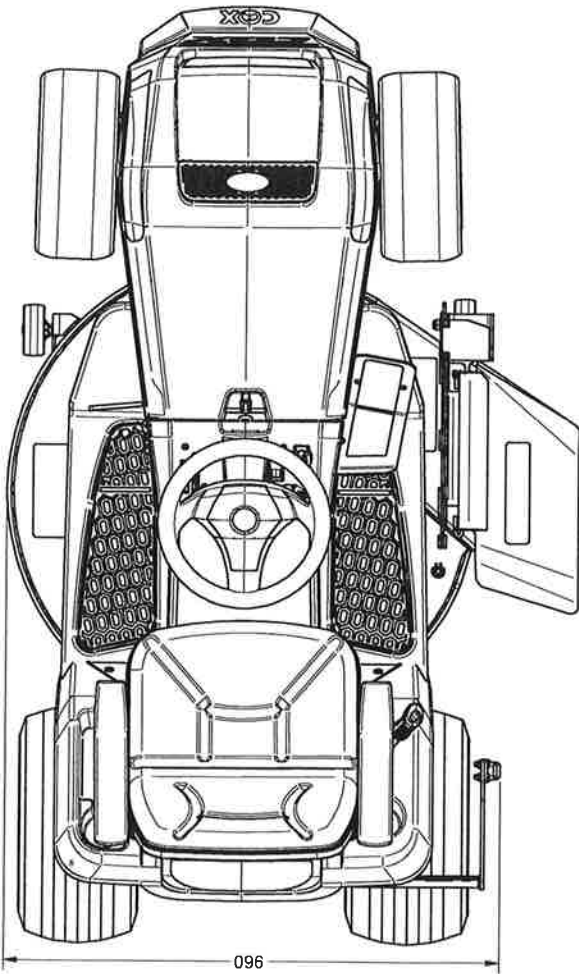


CA219 + C54 INSTALLED ON CTL20B35 OR CTL22B35 OR CTL23B35



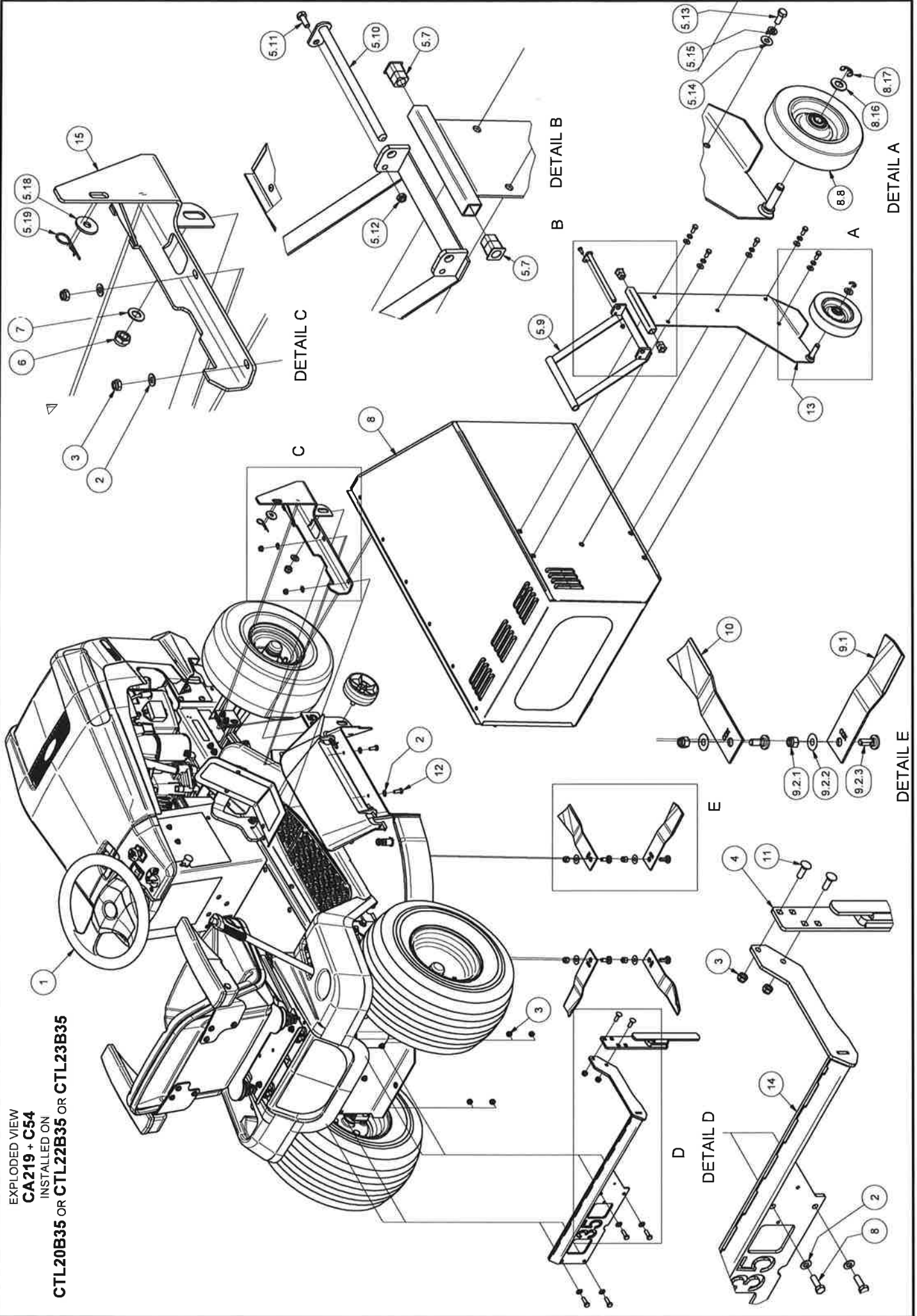


CA219 INSTALLED ON CTL20B35 OR CTL22B35 OR CTL23B35



EXPLODED VIEW
CA219 + C54
INSTALLED ON

CTL20B35 OR CTL22B35 OR CTL23B35



ITEM	PART NUMBER	DESCRIPTION	QTY
1	CTP-EH20B35	STOCKMAN PRO,20B&S,AUTOLOK,35"	1
2	W08MN	WASHER,FLAT,BRIGHT,M 8X 17X1,2,ZNPL	8
3	NM8NT	NUT,HEX,NYLOC,THIN,M 8,PC6,ZNPL	8
4	A217003T	FINGER,REAR,MOUNT,C54,BLK RIP	1
5	C54	BOX,GRASS CATCHER,SIDE,180L	1
5.7	AM230	BUSH - PLASTIC	2
5.8	10046	WHEEL BALL BEARING STEEL CENTRE 6.0X1.5	1
5.9	13169	HANDLE,NORMAL	1
5.10	13170	PIN,PIVOT,HANDLE (PLATED)	1
5.11	SH0616M	SCREW,HEX,M 6X 16,PC4.6,ZNPL	1
5.12	NM6NT	NUT,HEX,NYLOC,THIN,M 6,PC6,ZNPL	1
5.13	SH0512C	SCREW,HEX,UNC,5/16"X3/4",GR5,ZNPL	5
5.14	W051218	WASHER,FLAT,BRIGHT,5/16"X3/4"X18G,ZNPL	5
5.15	WS050216	WASHER,LOCK,SPRING,5/16"X1/8"X1/16",ZNPL	5
5.16	W081616	WASHER,FLAT,BRIGHT,1/2"X1"X16G,ZN PL	1
5.17	C01	CIRCLIP,EXT,"E"TYPE,10IDX1.2 THICK	1
5.18	W0620HD	WASHER,FLAT,BLACK,3/8"X1-1/4"X3,ZNPL	1
5.19	RP03	PIN,'R', STEEL,2.0 X 50,ZNPL	1
6	NM12X1.25NT	NUT,HEX,NYLOC,THIN,M12X1.25,PC6,ZNPL	1
7	W12MN	WASHER,FLAT,BRIGHT,M12X 24X1.6,ZNPL	1
8	SH0825M	SCREW,HEX,M 8X 25,PC8.8,ZNPL	4
9	SKIT54N	PAIR,BLADE+BOLT+WASHER+NUT,STANDARD,198	1
9.1	SMB198S	PAIR,BLADE,MOWER,SWINGBACK,STANDARD,198	1
9.2	SKIT01D1	BLADE BOLT & NUT SET	1
9.2.1	NF06CN	NUT,HEX,NYLOC,THICK,UNC,3/8,GR5,ZNPL	2
9.2.2	WW0616	WASHER, WAVE, 3/8"x1"	2
9.2.3	AM031D1	BLADE BOLT GRADE 8	2
10	SKIT55N	PAIR,BLADE+BOLT+WASHER+NUT,AIRFLOW,198	1
11	BCHSNM8X25	BOLT,CUP,SQ NECK,M8 x 20 PC4.6. ZNPL.	2
12	SH0820M	SCREW,HEX,M 8X 20,PC8.8,ZNPL	2
13	A176005B	BRACKET,BODY-WHEEL+HANDLE,BLACK	1
14	A219001T	BRACKET,REAR,SMAN A210/A214,35",BLKRIP	1
15	A176001B21G	BRACKET,SIDE WALL- 890(35")DECK,BLACK	1