

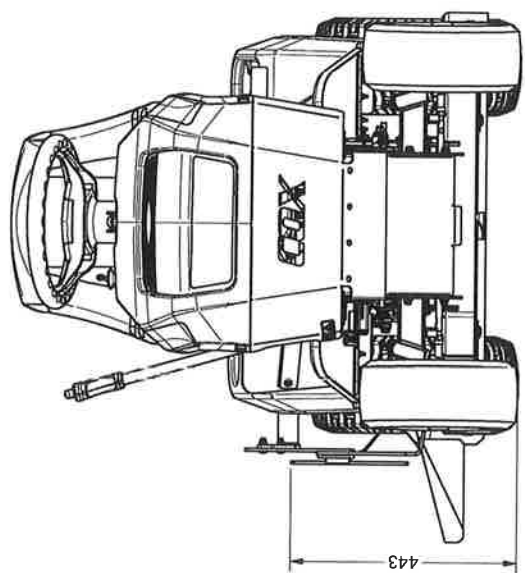
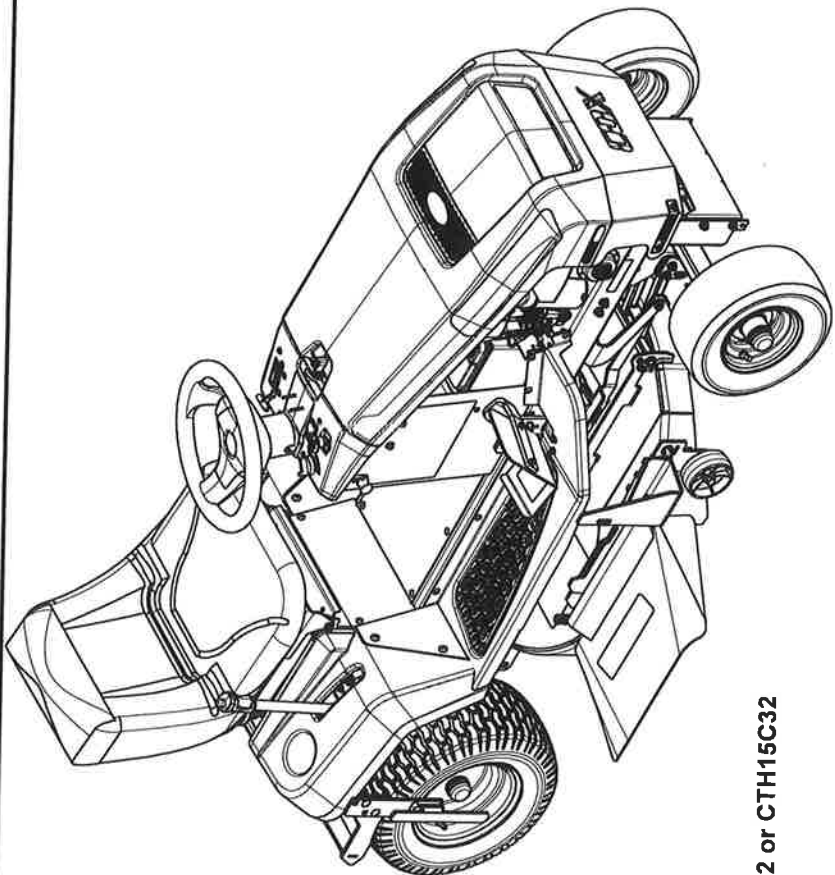
2009
2010
2011
2012
2013
2014
2015
2016
2017
2018
2019
2020

CA217 KIT

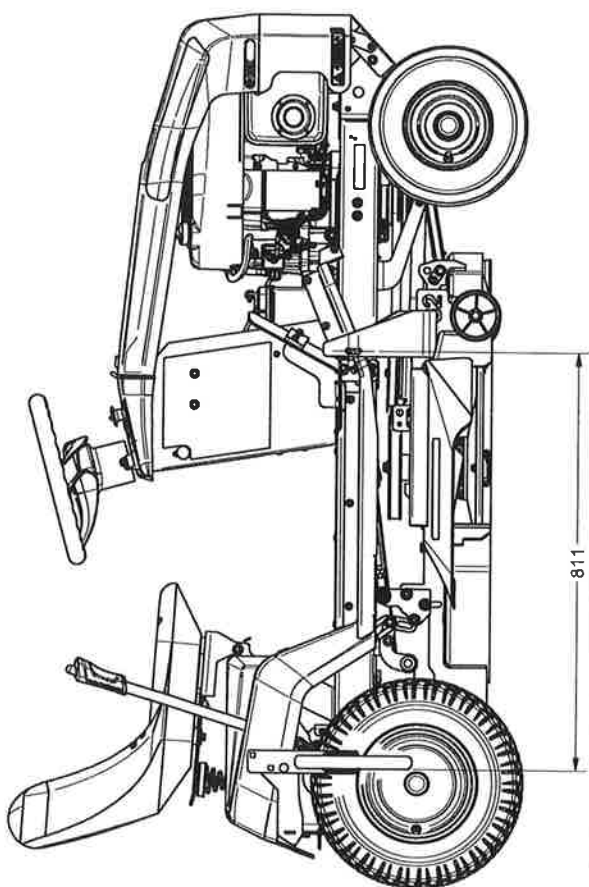
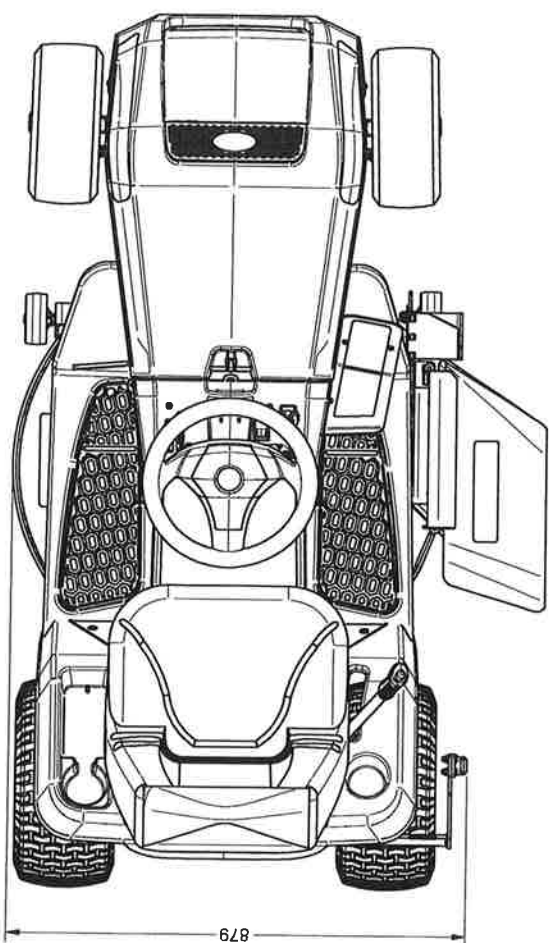
Installing
C54 CATCHER
TO
STOCKMAN 32" CUT
MODELS A21019L & A21420F

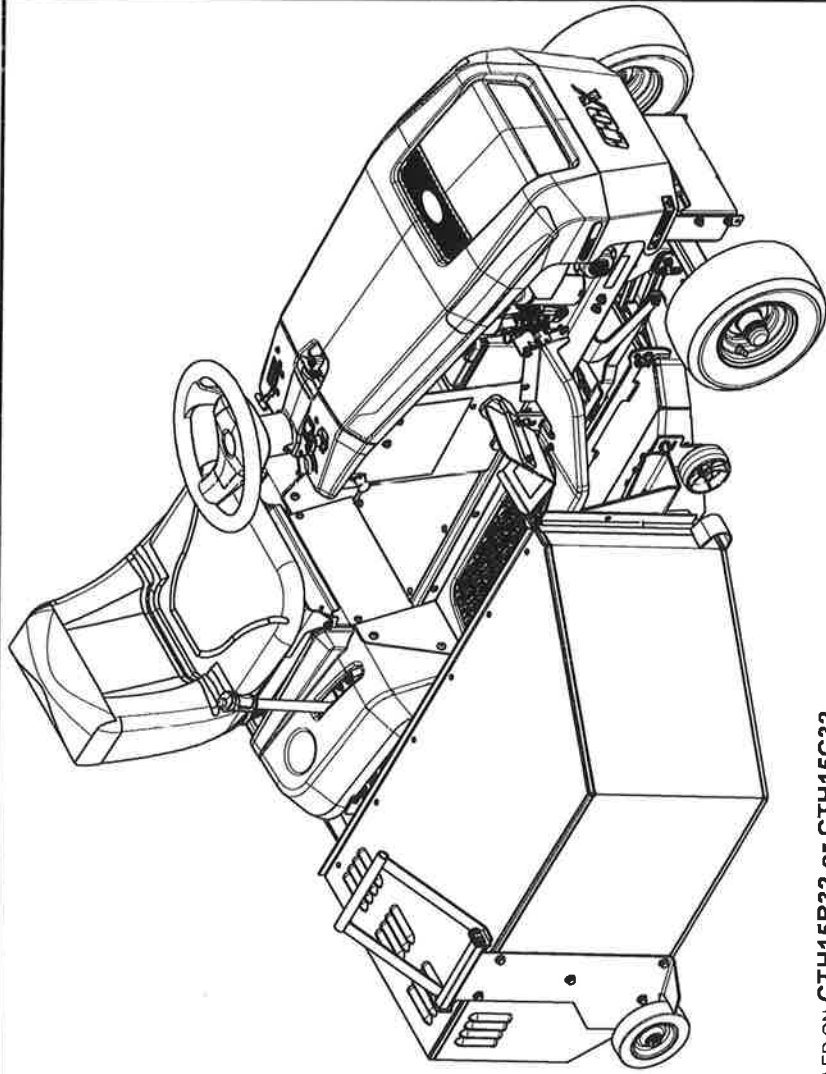
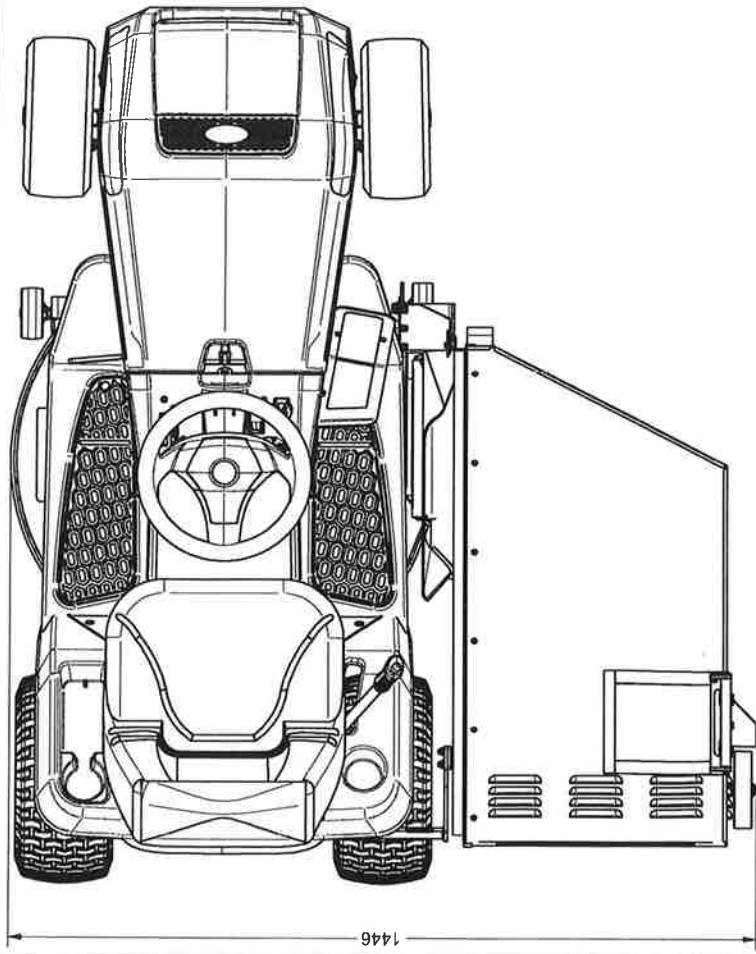


COX Industries (Australia) Pty Ltd
70 Landseer St. Acacia Ridge, Queensland, Australia 4110
coxowners.com.au

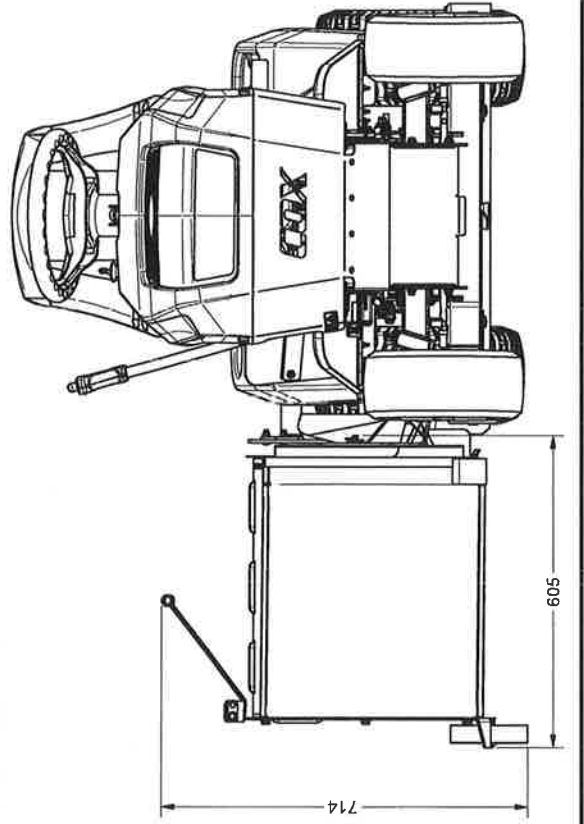
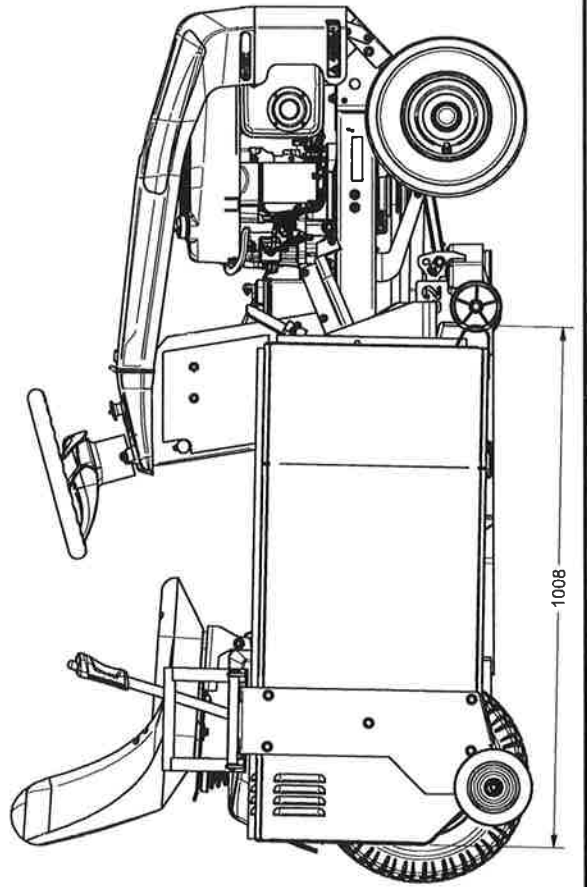


CA217 INSTALLED ON CTH15B32 or CTH15C32

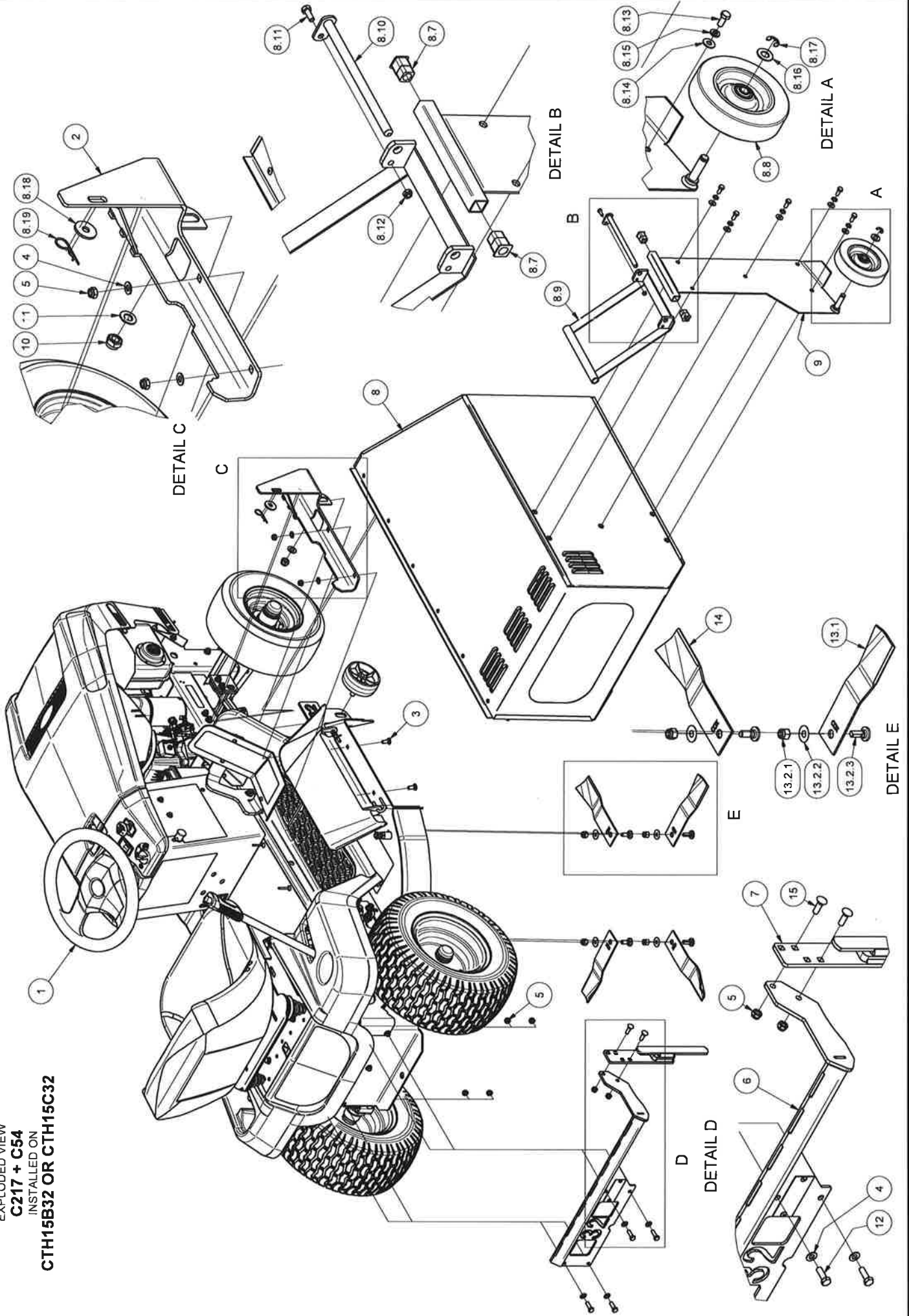




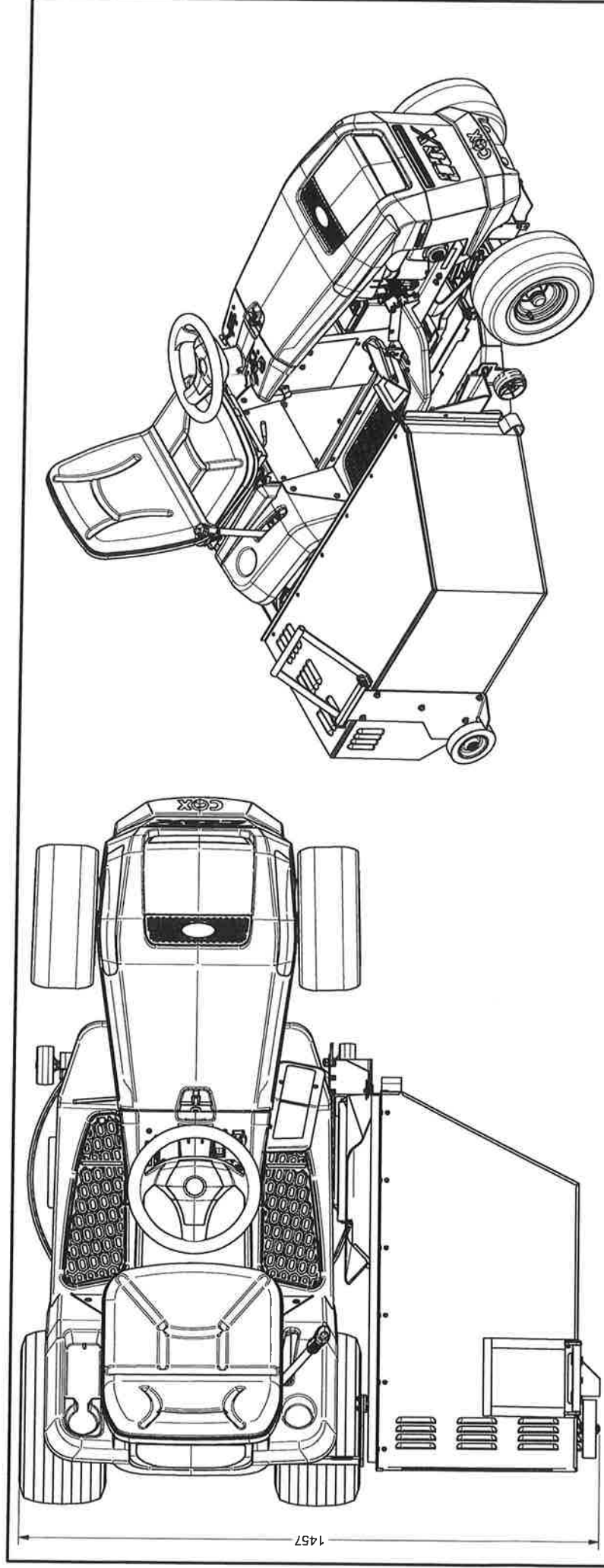
CA217 + C54 INSTALLED ON CTH15B32 or CTH15C32



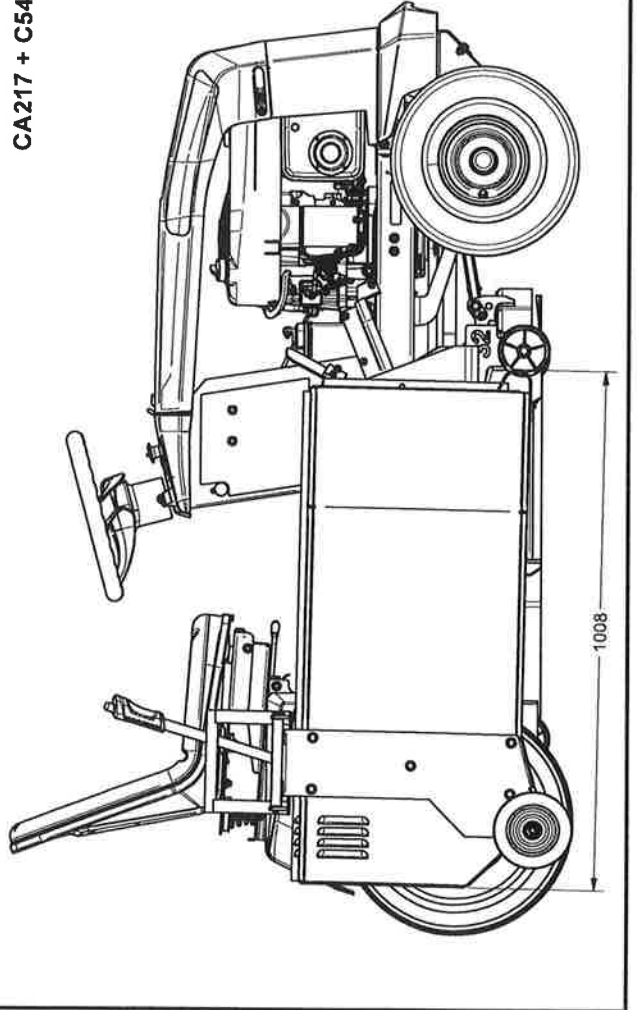
EXPLODED VIEW
C217 + C54
INSTALLED ON
CTH15B32 OR CTH15C32

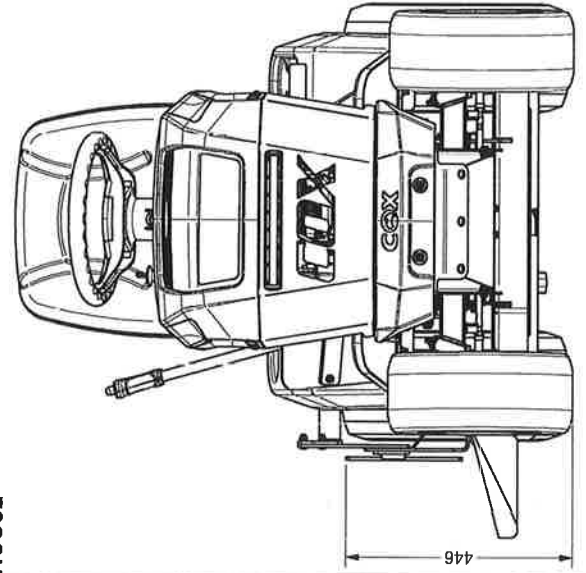
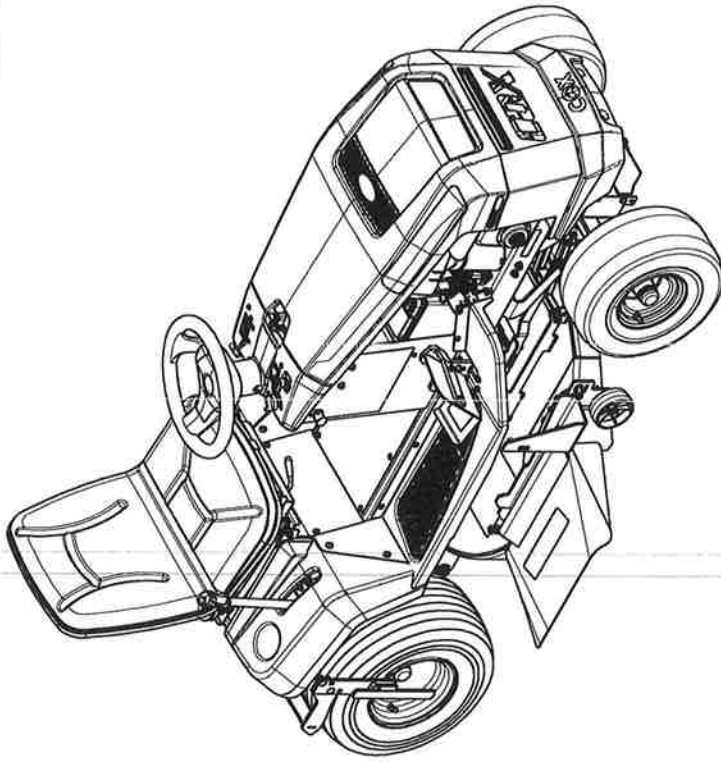


ITEM	PART NUMBER	DESCRIPTION	QTY
1	CTH15B32	STOCKMAN,15.5 B&S,TTC,32"	1
2	A184001B	BRACKET,FRONT, 805(32"),DECK,A180,BLACK	1
3	BCHSNM8X20	BOLT,CUP,SQ NECK,M8 x 20 PC4.6. ZNPL.	2
4	W08MN	WASHER,FLAT,BRIGHT,M 8X 17X1,2,ZNPL	6
5	NM8NT	NUT,HEX,NYLOC,THIN,M 8,PC6,ZNPL	8
6	A217000	SUB-ASSY,BRACKET,REAR,SMAN A210/A214,32"	1
7	A217003T	FINGER,REAR,MOUNT,C54,BLK RIP	1
8	C54	BOX,GRASS CATCHER,SIDE,180L	1
8.7	AM230	BUSH - PLASTIC	2
8.8	10046	WHEEL BALL BEARING STEEL CENTRE 6.0X1.5	1
8.9	13169	HANDLE,NORMAL	1
8.10	13170	PIN,PIVOT,HANDLE (PLATED)	1
8.11	SH0616M	SCREW,HEX,M 6X 16,PC4.6,ZNPL	1
8.12	NM6NT	NUT,HEX,NYLOC,THIN,M 6,PC6,ZNPL	1
8.13	SH0512C	SCREW,HEX,UNC,5/16"X3/4",GR5,ZNPL	5
8.14	W051218	WASHER,FLAT,BRIGHT,5/16"X3/4"X18G,ZNPL	5
8.15	WS050216	WASHER,LOCK,SPRING,5/16"X1/8"X1/16",ZNPL	5
8.16	W081616	WASHER,FLAT,BRIGHT,1/2"X1"X16G,ZN PL	1
8.17	C01	CIRCLIP,EXT,"E"TYPE,10IDX1.2 THICK	1
8.18	W0620HD	WASHER,FLAT,BLACK,3/8"X1-1/4"X3,ZNPL	1
8.19	RP03	PIN,'R', STEEL,2.0 X 50,ZNPL	1
9	A217005T	BRACKET,BODY-WHEEL+HANDLE,BLK RIP	1
10	NM12X1.25NT	NUT,HEX,NYLOC,THIN,M12X1.25,PC6,ZNPL	1
11	W12MN	WASHER,FLAT,BRIGHT,M12X 24X1.6,ZNPL	1
12	SH0825M	SCREW,HEX,M 8X 25,PC8.8,ZNPL	4
13	SKIT54N	PAIR,BLADE+BOLT+WASHER+NUT,STANDARD,198	1
13.1		PAIR,BLADE,MOWER,SWINGBACK,STANDARD,198	1
13.2	SKIT01D1	BLADE BOLT & NUT SET	1
13.2.1		NUT,HEX,NYLOC,THICK,UNC,3/8,GR5,ZNPL	2
13.2.2		WASHER, WAVE, 3/8"x1"	2
13.2.3		BLADE BOLT GRADE 8	2
14	SKIT55N	PAIR,BLADE+BOLT+WASHER+NUT,AIRFLOW,198	1
14.1	SKIT01D1	BLADE BOLT & NUT SET	1
14.2		PAIR,BLADE,MOWER,SWINGBACK,STANDARD,198	1
15	BCHSNM8X25	BOLT,CUP,SQ NECK,M8 x 20 PC4.6. ZNPL.	2

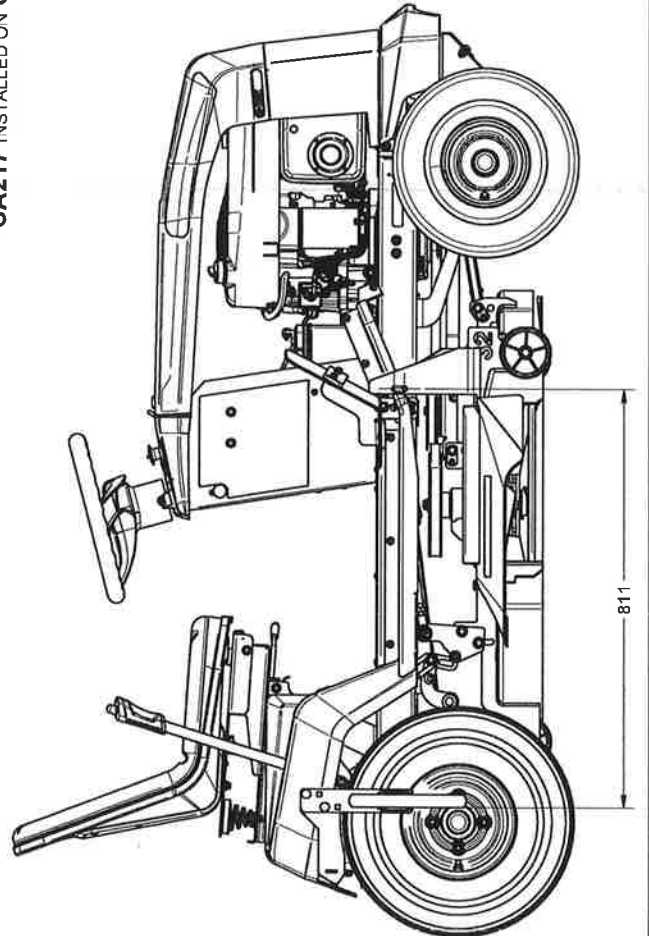
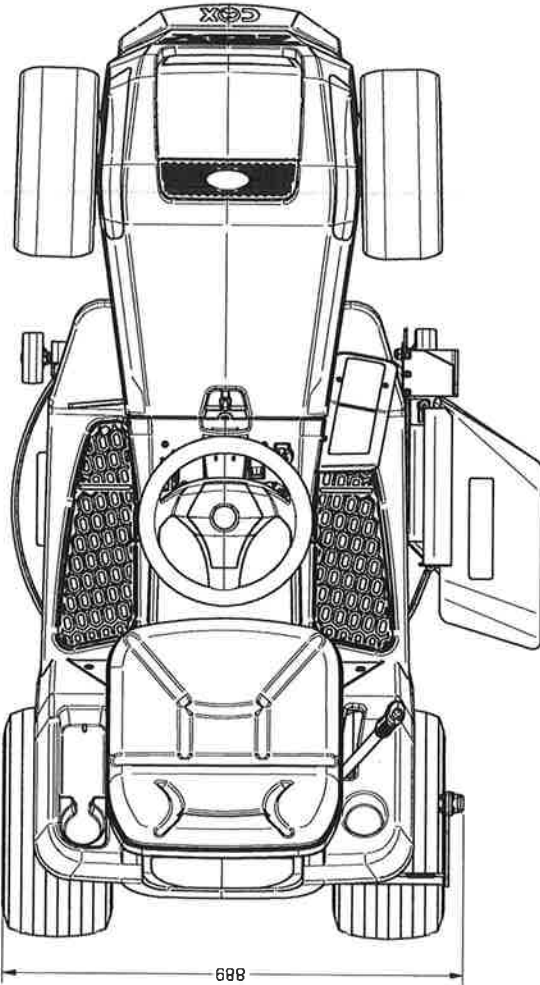


CA217 + C54 INSTALLED ON CTL16B32 OR CTL17B32 OR CTL18C32

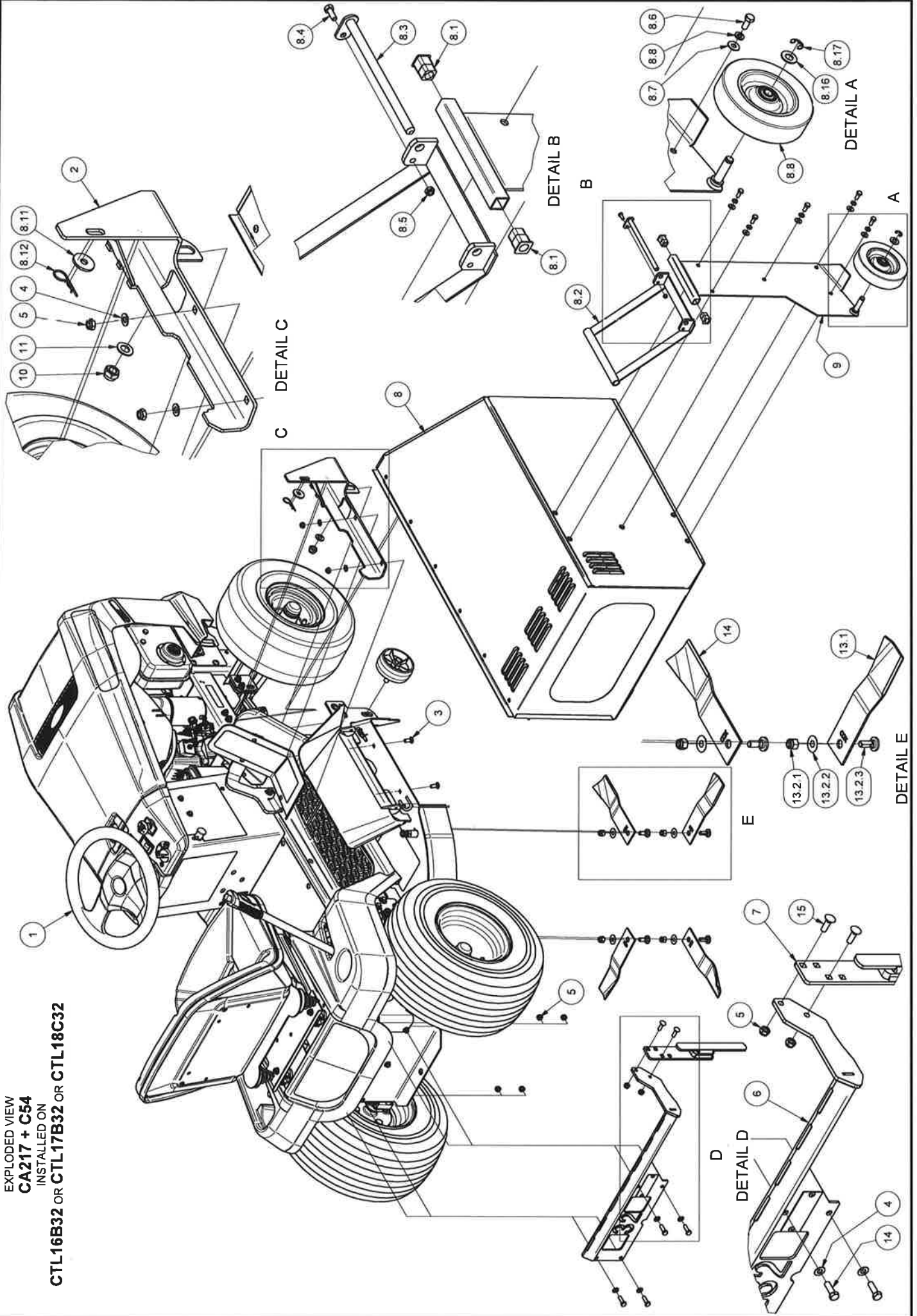




CA217 INSTALLED ON CTL16B32 OR CTL17B32 OR CTL18C32



EXPLODED VIEW
CA217 + C54
INSTALLED ON
CTL16B32 OR CTL17B32 OR CTL18C32



ITEM	PART NUMBER	DESCRIPTION	QTY
1	CTL17B32	STOCKMAN PLUS,17B&S,AUTOLOK,32"	1
2	A184001B	BRACKET,FRONT, 805(32"),DECK,A180,BLACK	1
3	BCHSNM8X20	BOLT,CUP,SQ NECK,M8 x 20 PC4.6. ZNPL.	2
4	W08MN	WASHER,FLAT,BRIGHT,M 8X 17X1,2,ZNPL	6
5	NM8NT	NUT,HEX,NYLOC,THIN,M 8,PC6,ZNPL	8
6	A217000	SUB-ASSY,BRACKET,REAR,SMAN A210/A214,32"	1
7	A217003T	FINGER,REAR,MOUNT,C54,BLK RIP	1
8	C54	BOX,GRASS CATCHER,SIDE,180L	1
8.1	AM230	BUSH - PLASTIC	2
8.2	13169	HANDLE,NORMAL	1
8.3	13170	PIN,PIVOT,HANDLE (PLATED)	1
8.4	SH0616M	SCREW,HEX,M 6X 16,PC4.6,ZNPL	1
8.5	NM6NT	NUT,HEX,NYLOC,THIN,M 6,PC6,ZNPL	1
8.6	SH0512C	SCREW,HEX,UNC,5/16"X3/4",GR5,ZNPL	5
8.7	W051218	WASHER,FLAT,BRIGHT,5/16"X3/4"X18G,ZNPL	5
8.8	WS050216	WASHER,LOCK,SPRING,5/16"X1/8"X1/16",ZNPL	5
8.9	W081616	WASHER,FLAT,BRIGHT,1/2"X1"X16G,ZN PL	1
8.10	C01	CIRCLIP,EXT,"E"TYPE,10IDX1.2 THICK	1
8.11	W0620HD	WASHER,FLAT,BLACK,3/8"X1-1/4"X3,ZNPL	1
8.12	RP03	PIN,'R', STEEL,2.0 X 50,ZNPL	1
9	A217005T	BRACKET,BODY-WHEEL+HANDLE,BLK RIP	1
10	NM12X1.25NT	NUT,HEX,NYLOC,THIN,M12X1.25,PC6,ZNPL	1
11	W12MN	WASHER,FLAT,BRIGHT,M12X 24X1.6,ZNPL	1
12	C01	CIRCLIP,EXT,"E"TYPE,10IDX1.2 THICK	1
13	SKIT54N	PAIR,BLADE+BOLT+WASHER+NUT,STANDARD,198	1
13.1	SMB198S	PAIR,BLADE,MOWER,SWINGBACK,STANDARD,198	1
13.2	SKIT01D1	BLADE BOLT & NUT SET	1
13.2.1	NF06CN	NUT,HEX,NYLOC,THICK,UNC,3/8,GR5,ZNPL	2
13.2.2	WW0616	WASHER, WAVE, 3/8"x1"	2
13.2.3	AM031D1	BLADE BOLT GRADE 8	2
14	SKIT55N	PAIR,BLADE+BOLT+WASHER+NUT,AIRFLOW,198	1
15	BCHSNM8X25	BOLT,CUP,SQ NECK,M8 x 20 PC4.6. ZNPL.	2