



OPERATING & MAINTENANCE INSTRUCTIONS

for

SCOUT XL RIDE-ON MOWER

MODEL 20L7

OPERATING AND MAINTENANCE INSTRUCTIONS

IMPORTANT

When starting electric start machines, place right heel on micro switch located on chassis (in front of transmission cover). Ensure that cutter is disengaged, otherwise electric starter motor will not engage. (Note electric start engines fitted with recoil can be manually started with cutter disengaged and ignition on.)

Keep feet and hands clear of mowing attachment when starting and operating machine.

Do not use mowing attachment with broken or bent blades, damaged cutter disc or cutter bar otherwise damage will result from vibration. Replace blades only in pairs to maintain correct balance.

DO NOT USE WITHOUT WINDROWER

Check all bolts and nuts after first hour of running to ensure trouble free service and adjust engine to clutch belt. (Refer instructions.)

Mount and dismount only from left hand side of machine.

Reference to left or right of machine is determined by sitting in the operating position on the machine.

TO OPERATE

BEFORE STARTING: See Engine Maintenance/Instruction Sheet.

DISENGAGING MOWING ATTACHMENT: The disengaging lever is situated on the right hand side by the steering column. Before starting, disengage mowing attachment by pulling lever fully to the operator. For safety precautions it is advisable at all times, other than when mowing, that the mowing attachment be kept in the disengaged position.

TO DRIVE FORWARD/REVERSE: Power is regulated by the throttle. Set throttle control to desired engine power. Press down on the forward section of the clutch pedal for forward movement or on the rear section of the clutch pedal for reverse. The amount of pressure can be used to control the speed, especially in heavier conditions.

MANOEUVRING: Owing to the clutch type action of the friction drive, it is possible to take the machine straight from forward to reverse and vice versa. This instant forward and reverse operation makes the machine very manoeuvrable and the sharpest turn can be negotiated easily and quickly.

TO BRAKE (WITH ENGINE RUNNING): The clutch may be used to stop the machine. If travelling forward push the pedal into reverse until machine stops, then bring the pedal back to neutral position or vice versa if travelling in reverse.

TO BRAKE (WITH ENGINE STOPPED): The parking brake must only be used. Otherwise damage to clutch cone will occur. Parking brake is also emergency 'stop' and transporting brake.

CUTTING HEIGHT ADJUSTMENT: The height adjustment is located on the left hand side of the machine and may be altered to suit varying conditions, while the machine is in motion.

NOTE: When mowing slopes, leave machine in forward drive when going downhill. Then low gearing will prevent it from picking up excessive speed. If very steep it may be necessary to throttle back slightly. Avoid holding machine using clutch on slopes with engine running and machine stationary as damage will occur to clutch plates.

MAINTENANCE INSTRUCTIONS

IT IS THE OWNERS RESPONSIBILITY TO ENSURE THAT ALL PERIODICAL CHECKS, NECESSARY ADJUSTMENTS AND SERVICES ARE CARRIED OUT.

STOP ENGINE — NEVER ATTEMPT ANY FORM OF SERVICE OR ADJUSTMENT WITH ENGINE RUNNING, REMOVE SPARK PLUG LEAD. MAKE SURE THE BLADES HAVE STOPPED ROTATING BEFORE CARRYING OUT ANY ADJUSTMENT.

1. **OIL CHANGING (ENGINE):** See engine maintenance/instructions sheet and carry out as per engine manufacturers recommendation.
2. **LUBRICATION OF MACHINE:** Lubrication of machine should be carried out every 25 hours of operations or once a month, whichever falls due first. Service engine and lubricate machine more frequently under adverse conditions.

A: OILING — A few drops of oil should be placed at the following points:— Steering Column Shaft (top and bottom) Steering Linkages, Disengagement Linkages, Height Adjustment Mechanism, Pivot Bolt and Linkages on Clutch Arm and Clutch Pedal.

B: CHAIN — Use chain lube only for lubricating the drive chain.

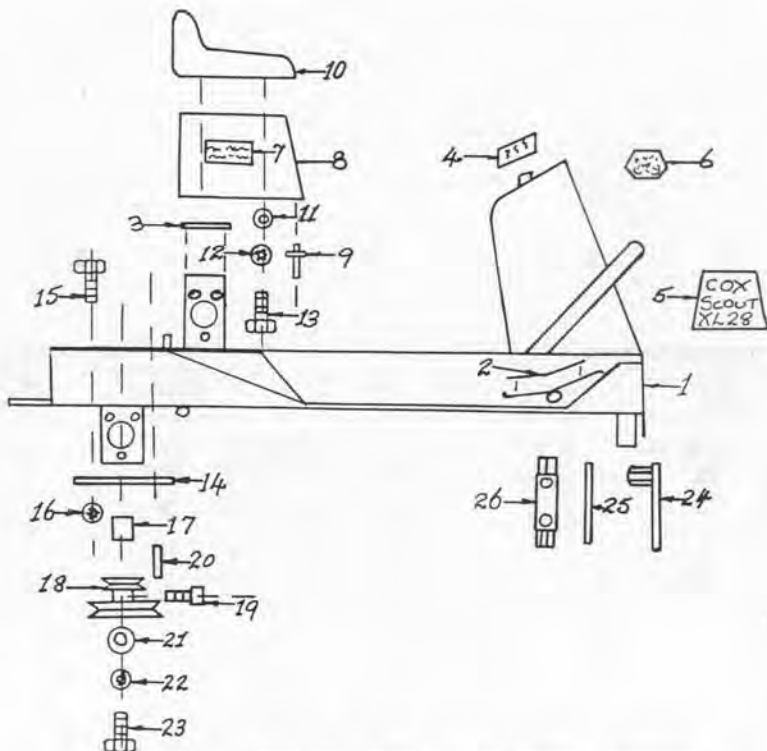
C: GREASE POINTS — Grease nipples are located on the front wheel stub axle bushes.

UNDER NO CIRCUMSTANCES ALLOW GREASE OR OIL TO COME INTO CONTACT WITH THE CLUTCH CONE OR THE CLUTCH PLATE. SHOULD THIS OCCUR CLEAN OFF IMMEDIATELY WITH PETROL.

3. **TO CHECK BLADES:** Stop Engine. Remove spark plug lead. Lift windrower and put height adjustment control to highest position. If necessary simply remove the blade bolt and nuts using a suitable spanner and replace worn parts.
4. **ENGINE TO CLUTCH VEE BELT ADJUSTMENT:** Loosen the four engine mounting bolt. Move engine backward and adjust to correct tension. Re-tighten bolts.
5. **CLUTCH PLATE ADJUSTMENT:** Periodically it will be necessary to adjust the clutch plates as the clutch cone wears. It is also advisable at this time to check that the clutch arm assembly does not rock vertically on its pivot bolt (refer group 20 Ref no. 8). If adjustment is necessary loosen lock nut (Ref no. 9) tighten pivot bolt firmly then nip up lock nut. Back off pivot bolt until clutch arm just moves freely forward to reverse then firmly tighten lock nut. Re-check free movement of clutch arm, then proceed to clutch plate adjustment. To carry out this operation, first loosen the lock nuts and set screws holding the plates in position. Position the clutch cone assembly into a centre position. Slide the reverse (L) clutch plate over to touch the clutch cone and tighten the set screws. Move the forward (R) plate until approximately .8 mm (1/32") from the clutch cone. Tighten the set screws and lock nuts.
6. **DRIVE CHAIN:** Raise rear of machine off ground using suitable block under Tow Bar. Loosen bolt through chain tensioner (Bearing). Move tensioner into chain (finger tight pressure only). Retighten bolt. Rotate rear wheels to check chain has slight backlash at its tightest point.
7. **TYRE PRESSURE:** 140kPa (20P.S.I.) approximately front and rear. Uneven pressure can give an uneven finish when mowing and may cause damage to tyres and tubes.
8. **BATTERY MAINTENANCE:** Maintain electrolyte fluid level just above plates by topping regularly with distilled water.
9. **GENUINE SPARE PARTS:** Always use genuine COX factory made spare parts. Use of non-genuine COX spares will void your warranty.
10. **SAFETY FIRST:** The use of any mechanical appliance can cause injury if incorrect procedures are used.

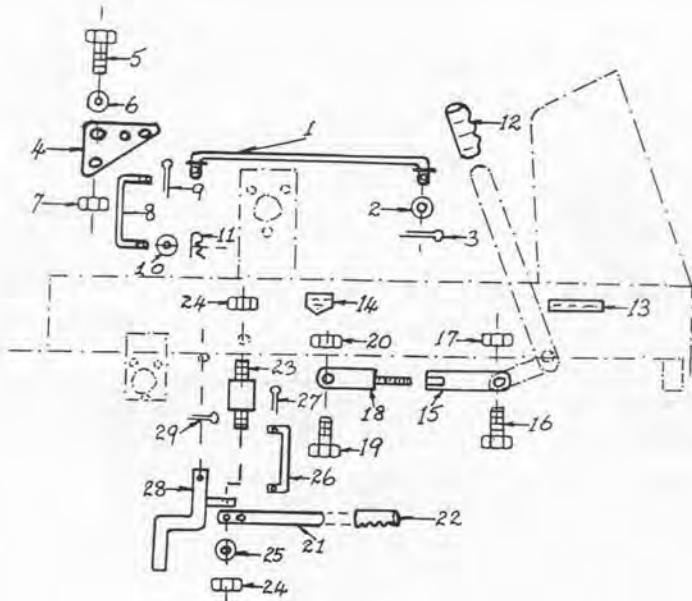
WE ARE PROUD THAT YOU HAVE PURCHASED THIS COX UNIT AND URGE YOU TO FOLLOW THESE INSTRUCTIONS TO OBTAIN THE MAXIMUM LIFE FROM YOUR MACHINE.

IF IN DOUBT CHECK WITH YOUR SUPPLIER, OR PHONE US DIRECT ON (07) 274 1155.

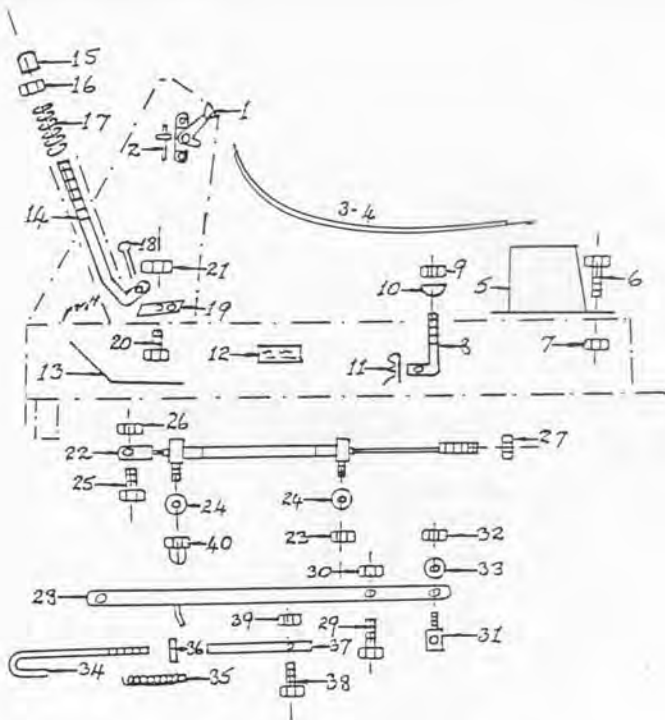


MODEL 20L7 GROUP 11: MAIN CHASSIS & COMPONENTS

REF NO.	PART NO.	DESCRIPTION
1	2011L701	CHASSIS
2	AM04	FOOT REST RUBBER
3	AM04	TRANSMISSION COVER PAD
4	TR17	TRANSFER THROTTLE
5	TR24	TRANSFER SCOUT XL
6	AM102	COX EMBLEM
7	TR06	VARIABLE SPEED TRANSFER (2)
8	2011L702	TRANSMISSION COVER
9	PRO306	TRANSMISSION COVER POP RIVET (4)
10	AM106	MOULDED SEAT
11	W051216	SEAT RETAINING BOLT WASHER (4)
12	W05S	SEAT RETAINING BOLT LOCK WASHER (4)
13	B0512C	SEAT RETAINING BOLT (4)
14	AM77	ENGINE BOLT PLATE (190mm) RH
	AM78	ENGINE BOLT PLATE (122mm) LH
15	B0524C	ENGINE MOUNT BOLT (4)
16	W05S	ENGINE MOUNT BOLT WASHER (4)
17	AM117	ENGINE PULLEY SPACER
18	AM108	ENGINE PULLEY
19	SS0508W	ENGINE PULLEY SET SCREW
20	AM115	ENGINE PULLEY KEY
21	W072004	PULLEY RETAINING BOLT WASHER
22	W07S	PULLEY RETAINING BOLT LOCK WASHER
23	SH0720P	ENGINE PULLEY RETAINING BOLT
24	AM05	SPARK PLUG SPANNER
25	AM07	TUBE SPANNER TOMMY BAR
26	AM06	CLUTCH PLATE TUBE SPANNER

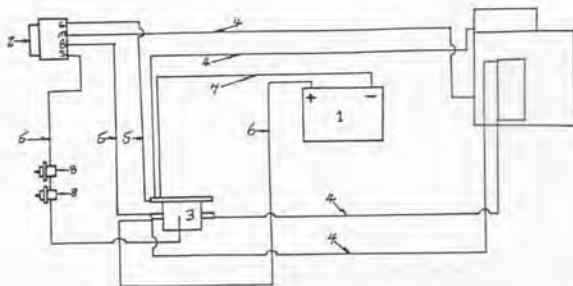


MODEL 20L7 REF NO.	GROUP 12: PART NO.	RIGHT HAND SIDE OF CHASSIS DESCRIPTION
1	AM120	CLUTCH ROD LONG
2	W071216	CLUTCH ROD LONG WASHER (2)
3	CP3.220	CLUTCH ROD LONG SPLIT PIN (2)
4	AM121	CLUTCH PIVOT PLATE
5	B0620C	CLUTCH PIVOT PLATE BOLT
6	W061216	CLUTCH PIVOT PLATE BOLT WASHER
7	N06CN	CLUTCH PIVOT PLATE BOLT NUT
8	AM122	CLUTCH ROD SHORT
9	CP3.220	CLUTCH ROD SHORT SPLIT PIN
10	W051216	CLUTCH ROD SHORT WASHER (2)
11	RP01	CLUTCH ROD SHORT 'R' PIN
12	AM09	DISENGAGING HANDLE GRIP
13	TR28	TRANSFER OUT CUTTER IN
14	TR27	TRANSFER DEPRESS SWITCH
15	AM118	DISENGAGING ADJUSTER BUSHED
16	B0616C	DISENGAGING ADJUSTER BOLT
17	N06CN	DISENGAGING ADJUSTER BOLT NUT
18	AM10J6	DISENGAGING ADJUSTER THREADED
19	B0616C	DISENGAGING ADJUSTER BOLT
20	N06CN	DISENGAGING ADJUSTER BOLT NUT
21	2012L701	HAND BRAKE HANDLE
22	AM09	HAND GRIP
23	2012L702	HAND BRAKE PIVOT PILLAR
24	N06CN	PIVOT NUT (2)
25	W061216	PIVOT NUT WASHER
26	2012L703	HAND BRAKE ACTUATING ROD
27	CP3.220	ACTUATING ROD SPLIT PIN (2)
28	AM119	PARKING BRAKE
29	CP3.220	PARKING BRAKE SPLIT PIN

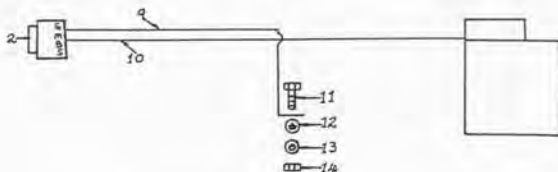


MODEL 20L7 GROUP 13: LEFT HAND SIDE OF CHASSIS

REF. NO.	PART NO.	DESCRIPTION
1	AM88	THROTTLE LEVER
2	FR0306	THROTTLE LEVER RIVET (2)
3	2013L701	THROTTLE CABLE OUTER
4	2013L702	THROTTLE CABLE INNER
5	2013L703	CHAIN GUARD
6	B0412C	CHAIN GUARD BOLT (2)
7	N04CN	CHAIN GUARD BOLT NUT (2)
8	AM124	CUTTER ADJUSTMENT REAR HOOK
9	N06CN	CUTTER ADJUSTMENT REAR HOOK NUT
10	AM125	CUTTER ADJUSTMENT REAR HOOK SPACER
11	RP02	CUTTER ADJUSTMENT REAR HOOK 'R' PIN
12	TR08	TRANSFER MOUNTING CAUTION
13	AM04	FOOT REST RUBBER
14	AM143	HEIGHT ADJUSTMENT PAWL PUSH ROD
15	AM13	HEIGHT ADJUSTMENT PAWL PUSH ROD BUTTON
16	N04C	HEIGHT ADJUSTMENT PAWL PUSH ROD NUT
17	AM12	HEIGHT ADJUSTMENT PAWL PUSH ROD SPRING
18	CP2,512	HEIGHT ADJUSTMENT PAWL PUSH ROD SPLIT PIN
19	AM11	HEIGHT ADJUSTMENT PAWL
20	B0516C	HEIGHT ADJUSTMENT PAWL PIVOT BOLT
21	N05CN	HEIGHT ADJUSTMENT PAWL PIVOT BOLT NUT
22	2013L704	HEIGHT ADJUSTMENT CABLE
23	N06CN	CABLE LOCATING NUT
24	N051216	CABLE LOCATING WASHER (2)
25	B0516C	CABLE PIVOT BOLT
26	N06CN	CABLE PIVOT BOLT NUT
27	N06C	CABLE NUT (2)
28	2013L705	HEIGHT CONNECTING ROD
29	B0516C	HEIGHT CONNECTING ROD BOLT (2)
30	N06CN	HEIGHT CONNECTING ROD BOLT NUT (2)
31	AM46	CONNECTING ROD PIVOT BLOCK
32	N06CN	PIVOT BLOCK NUT
33	N051216	PIVOT BLOCK WASHER
34	AM123	CUTTER BRAKE ADJUSTER ROD
35	AM35	CUTTER BRAKE ADJUSTER SPRING
36	MS05C	CUTTER BRAKE ADJUSTER ROD NUT
37	AM34	CUTTER BRAKE ADJUSTER BRACKET
38	B0516C	CUTTER BRAKE ADJUSTER BOLT
39	N05CN	CUTTER BRAKE ADJUSTER BOLT NUT
40	N066C	HEIGHT ADJUSTER CABLE DOMED NUT



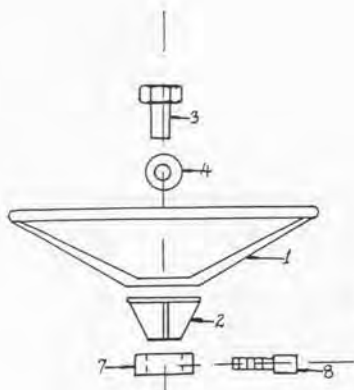
FOR ELECTRIC START MACHINES



FOR MANUAL START MACHINES

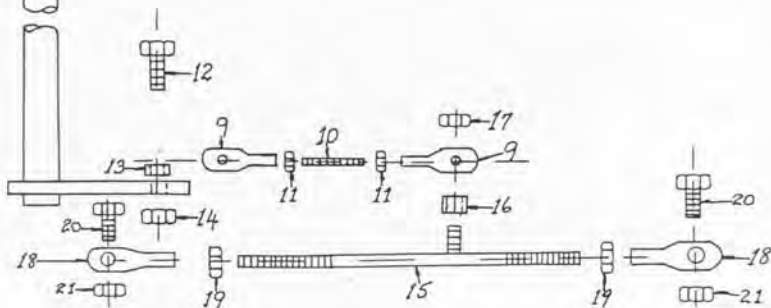
MODEL 20L7 GROUP 14: ELECTRICAL CIRCUIT

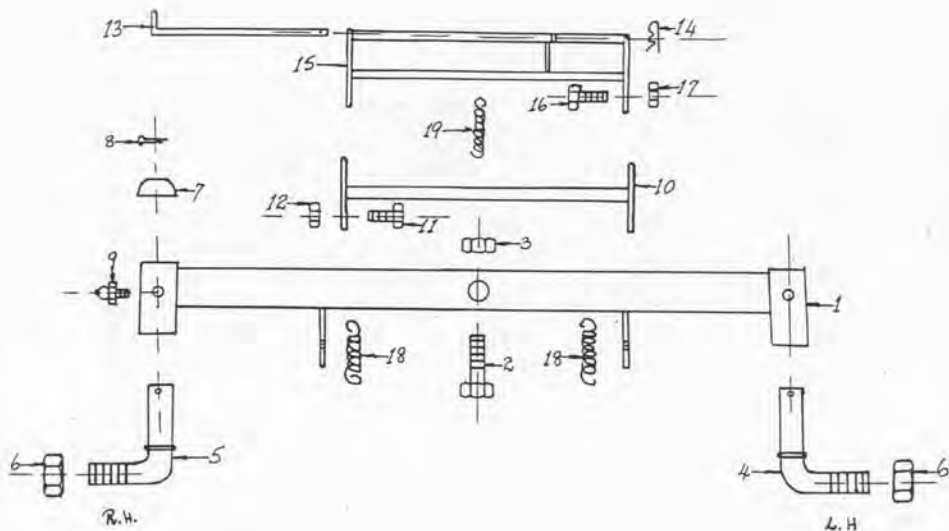
REF NO.	PART NO.	DESCRIPTION
1	AM109	BATTERY
	B0408C	BATTERY TERMINAL BOLT (2)
	N04C	BATTERY TERMINAL BOLT NUT (2)
	AM126	BATTERY CLAMP (2)
	SR0420C	BATTERY CLAMP SCREW
	N04C	BATTERY CLAMP NUT
	AM98	BATTERY COVER
2	AM14	IGNITION SWITCH
	AM15	IGNITION KEY
3	AM63	SOLENOID
	B0412C	SOLENOID MOUNTING BOLT (2)
	N04CN	SOLENOID MOUNTING BOLT NUT (2)
4	AM127	WIRING LOOM
	AM104	10AMP FUSE
5	AM128	IGNITION SOCKET & WIRE SET
6	AM64	LEAD - SOLENOID TO BATTERY - RED
7	AM65	LEAD - SOLENOID MOUNT (EARTH) TO BATTERY - BLACK
	AM96	LOOM CLAMP
	PR0308	LOOM CLAMP POP RIVET
	AM112	DISENGAGING MICRO BRACKET
	AM113	DISENGAGING MICRO BRACKET CLAMP
	AM114	DISENGAGING MICRO SPRING PLATE
	B0412C	DISENGAGING MICRO BRACKET BOLT
	N04CN	DISENGAGING MICRO BRACKET BOLT NUT
8	AM92	MICRO SWITCH (2)
	AM100	FOOT MICRO SPRING PLATE
	B0412C	FOOT MICRO SPRING PLATE BOLT (2)
	N04CN	FOOT MICRO SPRING PLATE BOLT NUT (2)
9	AM129	EARTH TO IGNITION SWITCH LEAD
10	AM130	MAGNETO TO IGNITION SWITCH LEAD
11	B0512C	EARTH BOLT
12	N055	EARTH BOLT LOCK WASHER
13	W051216	EARTHBOLT WASHER
14	N05CN	EARTH BOLT NUT



MODEL 20L7 GROUP 15: STEERING COMPONENTS

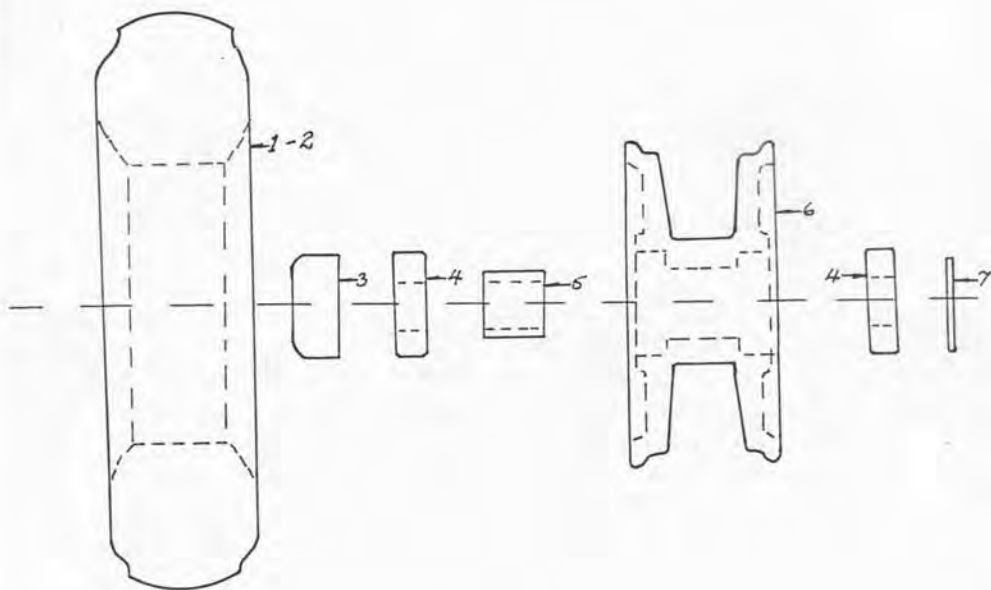
REF NO.	PART NO.	DESCRIPTION
1	AM83	STEERING WHEEL
2	AM84	STEERING WHEEL ADAPTOR
3	AM93	STEERING WHEEL NUT
4	W081816	STEERING WHEEL NUT WASHER
5	AM131	STEERING SHAFT
6	AM17	STEERING SHAFT BUSH (2)
7	AM66	STEERING SHAFT LOCK COLLAR
8	SS0408W	LOCK COLLAR SET SCREW
9	AM20	ADJUSTER ROD ENDS (2)
10	2015L701	STEERING ADJUSTER
11	N06F	STEERING ADJUSTER LOCK NUT (2)
12	B0620C	STEERING ADJUSTER PIVOT BOLT
13	AM144	STEERING ADJUSTER PIVOT SPACER
14	N06CN	STEERING ADJUSTER PIVOT NUT
15	2015L702	TIE ROD
16	AM144	TIE ROD PIVOT SPACER
17	N06CN	TIE ROD PIVOT NUT
18	AM20	TIE ROD ENDS (2)
19	N06F	TIE ROD ENDS LOCK NUT (2)
20	B0620C	TIE ROD END ATTACHING BOLT (2)
21	N06CN	TIE ROD END ATTACHING BOLT NUT (2)





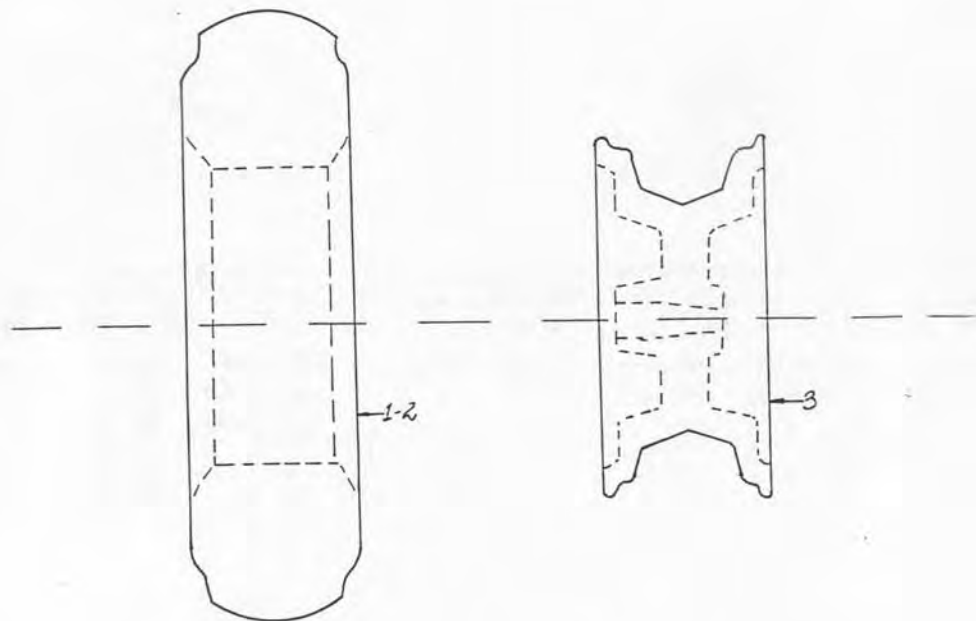
MODEL 20L7 GROUP 16: FRONT AXLE COMPONENTS

REF NO.	PART NO.	DESCRIPTION
1	2016L701	FRONT AXLE
2	B0824C	FRONT AXLE PIVOT BOLT
3	N08CN	FRONT AXLE PIVOT BOLT NUT
4	AM67	LEFT HAND STUB AXLE
5	AM68	RIGHT HAND STUB AXLE
6	NT20FM	FRONT WHEEL RETAINING NUT (2)
7	AM69	STUB AXLE CUP WASHER (2)
8	CP3.225	STUB AXLE SPLIT PIN (2)
9	GNTF3	STUB AXLE GREASE NIPPLE (2)
10	AM132	FRONT AXLE CONNECTING LINK
11	B0612C	FRONT AXLE CONNECTING LINK BOLT (2)
12	N06CN	FRONT AXLE CONNECTING LINK BOLT NUT (2)
13	AM39	CUTTER PIVOT ROD
14	RF02	CUTTER PIVOT ROD 'R' PIN
15	AM133	CUTTER CONNECTING LINK
16	B0616C	CONNECTING LINK BOLT (2)
17	N06CN	CONNECTING LINK BOLT NUT (2)
18	AM40	BELT TENSION SPRING (2)
19	AM145	WEIGHT COMPENSATING SPRING



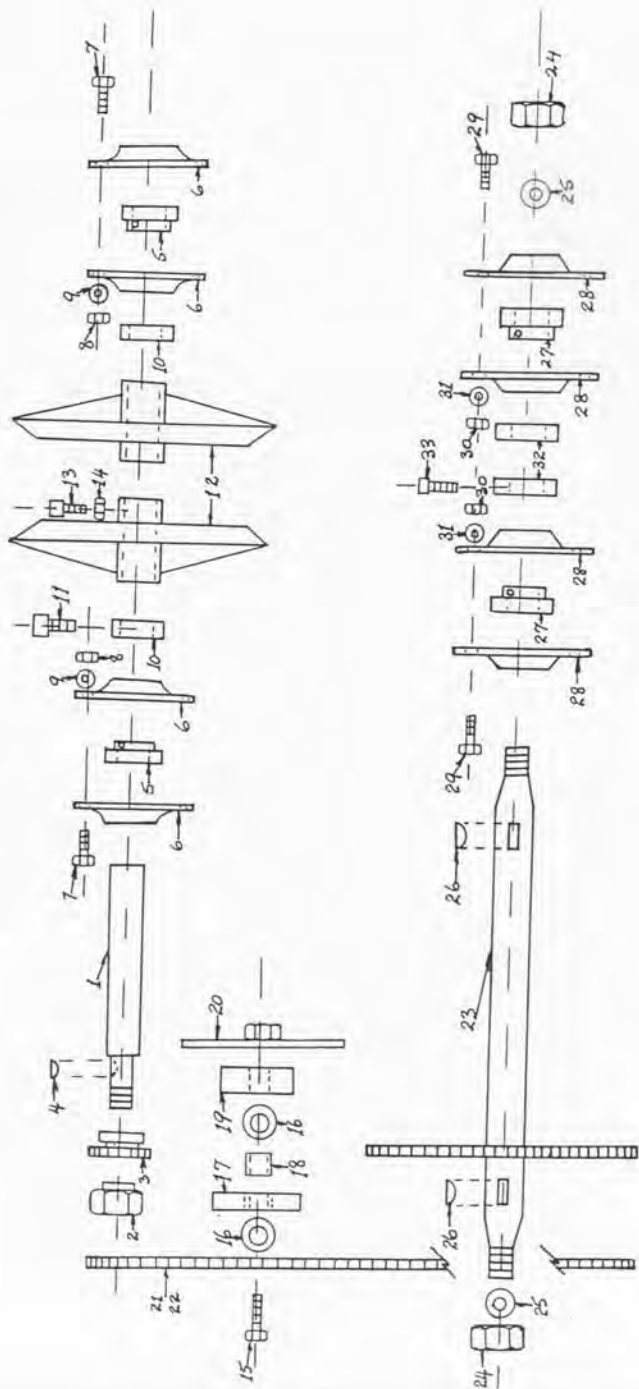
MODEL 20L7 GROUP 17: FRONT WHEEL COMPONENTS

REF NO.	PART NO.	DESCRIPTION
1	TY350x4	FRONT TYRE (2)
2	TU350x4	FRONT TUBE (2)
3	AM70	FRONT HUB CAP (2)
4	BB2042	WHEEL BEARING (4)
5	AM21	BEARING SPACER (2)
6	AM134	WHEEL HUB (42mm BORE) (2)
7	W2038HDM	BEARING DUST SHIELD (4)



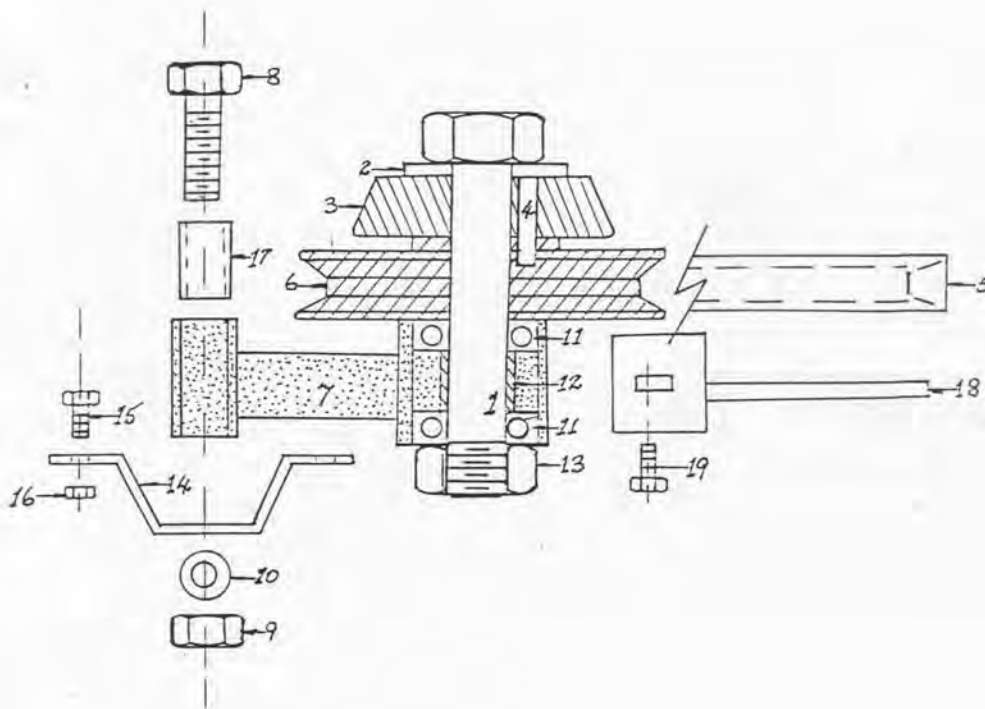
MODEL 20L7 GROUP 18: REAR WHEEL COMPONENTS

REF NO.	PART NO.	DESCRIPTION
1	TY500x6	REAR TYRE (2)
2	TU500x6	REAR TUBE (2)
3	AM135	WHEEL HUB (6") (2)



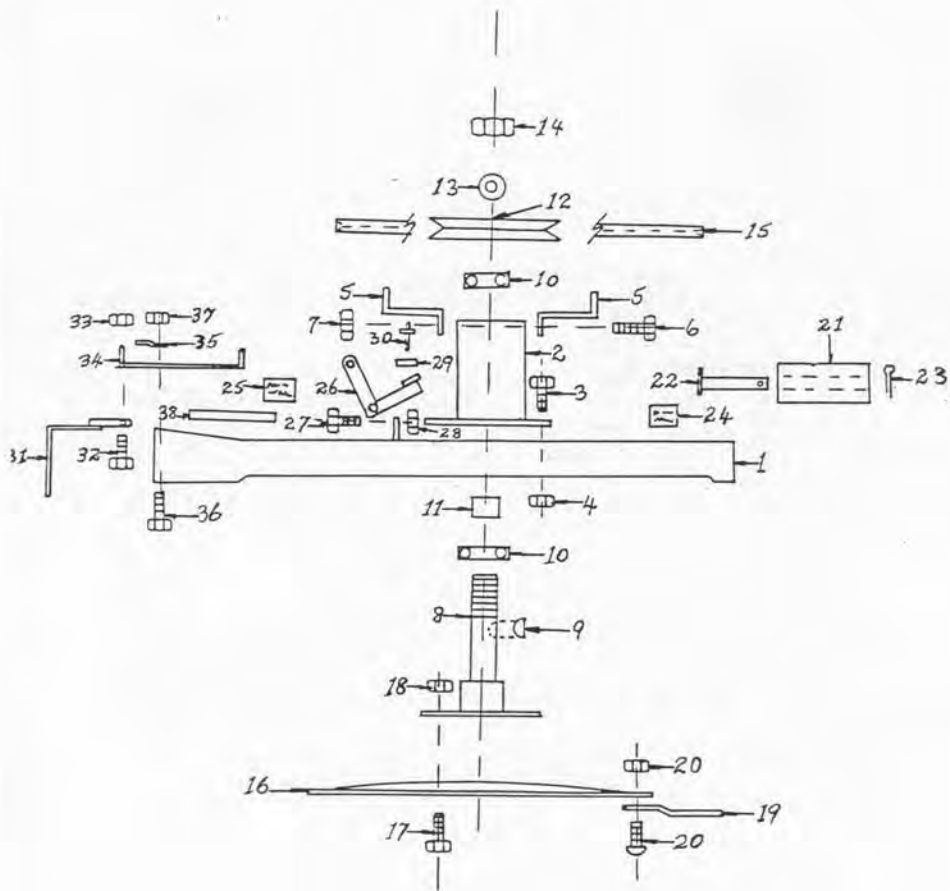
MODEL 20L7 GROUP 19: DRIVE COMPONENTS

REF NO.	PART NO.	DESCRIPTION
1	AM71	INTERSHAFT
2	AM22	INTERSHAFT SPROCKET NUT
3	AM23	INTERSHAFT SPROCKET
4	K03	SPROCKET KEY
5	BB25SA	INTERSHAFT BEARING (2)
6	AM24	BEARING FLANGE (4)
7	B0612C	BEARING FLANGE BOLT (6)
8	N06CN	BEARING FLANGE BOLT NUT (6)
9	W061216	BEARING FLANGE WASHER (6)
10	AM25	INTERSHAFT LOCK COLLAR (2)
11	SS0508W	LOCK COLLAR SET SCREW (2)
12	AM75	CLUTCH PLATE (2)
13	SS0620W	CLUTCH PLATE SET SCREW (4)
14	N06C	CLUTCH PLATE LOCK NUT (4)
15	B0832C	CHAIN ADJUSTER BOLT
16	W081816	CHAIN ADJUSTER WASHER (2)
17	BB1232-I	CHAIN ADJUSTER BEARING
18	AM41	CHAIN ADJUSTER SPACER
19	AM136	CHAIN ADJUSTER PILLAR
20	AM137	CHAIN ADJUSTER LOCK PLATE
21	AM18	DRIVE CHAIN INCL. LINK
22	AM19	DRIVE CHAIN CONNECTING LINK
23	2019L701	REAR AXLE
24	N10F	REAR WHEEL RETAINING NUT (2)
25	W102016	REAR WHEEL RETAINING WASHER (2)
26	K18	REAR WHEEL KEY (2)
27	BB25SA	REAR AXLE BEARING (2)
28	AM24	REAR AXLE BEARING FLANGE (4)
29	B0612C	BEARING FLANGE BOLT (6)
30	N06CN	BEARING FLANGE BOLT NUT (6)
31	W061216	BEARING FLANGE WASHER (6)
32	AM25	REAR AXLE LOCK COLLAR (2)
33	SS0508W	REAR AXLE LOCK COLLAR SET SCREW (2)



MODEL 20L7 GROUP 20: CLUTCH ARM COMPONENTS

REF NO.	PART NO.	DESCRIPTION
1	AM138	CLUTCH SHAFT
2	W2045HDM	CLUTCH CONE RETAINING WASHER
3	CC2089P	CLUTCH CONE
4	AM26	CLUTCH CONE PIN
5	VA33	BELT - ENGINE TO CLUTCH
6	AM139	CLUTCH PULLEY
7	KIT07	CLUTCH ARM
8	B0664C	CLUTCH ARM PIVOT BOLT
9	N06CN	CLUTCH ARM PIVOT BOLT NUT
10	W061216	CLUTCH ARM PIVOT BOLT WASHER
11	BB2052	CLUTCH BEARING (2)
12	AM72	CLUTCH BEARING SPACER
13	NT20FM	CLUTCH SHAFT NUT
14	AM140	CLUTCH ARM BRACKET
15	B0516C	CLUTCH ARM BRACKET BOLT (4)
16	N05CN	CLUTCH ARM BRACKET BOLT NUT (4)
17	AM141	CLUTCH ARM BRACKET SPACER
18	AM142	CLUTCH ARM YOKE
19	B0512C	CLUTCH ARM YOKE RETAINING BOLT (2)



MODEL 20L7 GROUP 21: MOWING ATTACHMENT COMPONENTS

REF NO.	PART NO.	DESCRIPTION
1	2021L701	CUTTER COVER
2	KIT08	BEARING HOUSING c/w BELT GUIDES
3	B0616C	BEARING HOUSING BOLT (4)
4	N06CN	BEARING HOUSING BOLT NUT (4)
5	AM73	BEARING HOUSING BELT GUIDE (2)
6	B0420C	BEARING HOUSING BELT GUIDE BOLT (2)
7	N04CN	BEARING HOUSING BELT GUIDE BOLT NUT (2)
8	AM28	CUTTER SHAFT
9	K09	CUTTER SHAFT KEY
10	BB2052	CUTTER SHAFT BEARING (2)
11	AM29	CUTTER SHAFT BEARING SPACER
12	AM30	CUTTER SHAFT PULLEY
13	W2032HDM	CUTTER PULLEY RET. WASHER
14	NT20FM	CUTTER PULLEY RET. NUT
15	VB58	BELT - CUTTER TO ENGINE
16	AM76	CUTTER DISC
17	B0616C	DISC RET. BOLT (4)
18	N06CN	DISC RET. BOLT NUT (4)
19	MB167S	CUTTER BLADE - STEPPED
20	KIT01	BLADE BOLT & NUT SET
21	AM36	CUTTER ROLLER
22	AM37	CUTTER ROLLER SHAFT
23	CP3.225	CUTTER ROLLER SHAFT SPLIT PIN
24	TR09	TRANSFER CUTTER LEFT HAND
25	TR10	TRANSFER CUTTER RIGHT HAND
26	KIT15	CUTTER BRAKE INCL. PAD
27	B0516C	CUTTER BRAKE PIVOT BOLT
28	N05CN	CUTTER BRAKE PIVOT BOLT NUT
29	AM33	BRAKE PAD
30	PR0207	BRAKE PAD POP RIVET (2)
31	AM51C7	WINDROWER HINGED
32	B0412C	WINDROWER PIVOT BOLT (2)
33	N04CN	WINDROWER PIVOT BOLT NUT (2)
34	AM52	WINDROWER BRACKET
35	AM101	WINDROWER SPRING PLATE
36	B0412C	WINDROWER BRACKET BOLT (2)
37	N04CN	WINDROWER BRACKET BOLT NUT (2)
38	AM53D7	WINDROWER ANTI-VIBRATION STRIP
	MB167A	BLADES - AIR FLOW
	AM74	CUTTER BAR - AIR FLOW
	AM86	CUTTER BAR - STEPPED
	AM81	SADDLE CLAMP
	B0616C	CUTTER BAR & CLAMP BOLT
	N06CN	CUTTER BAR & CLAMP NUT